

PRODUCT CODE: THB50
TOP HAT BRACKET



DESCRIPTION

50mm Top Hat Bracket

FINISH

Steel

MATERIAL

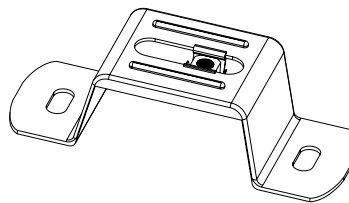
BZP

PACKAGING

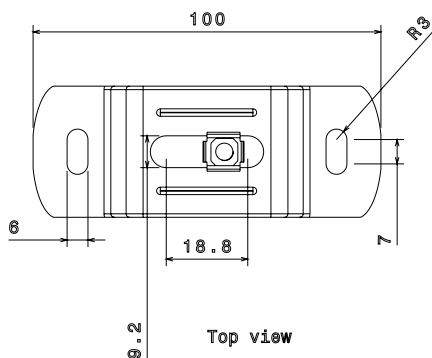
Packed in qty 50

ADDITIONAL NOTES

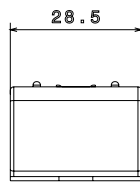
Comprises; 1 x slot and 1 x M6 captive nut
Compliant to LU Standard 1-085 (for use on surface & sub-surface locations)



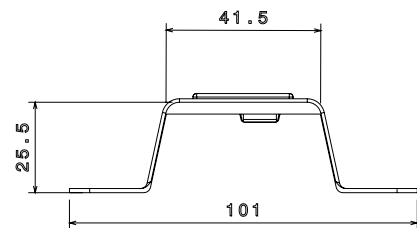
Isometric view



Top view



Front view



Side view